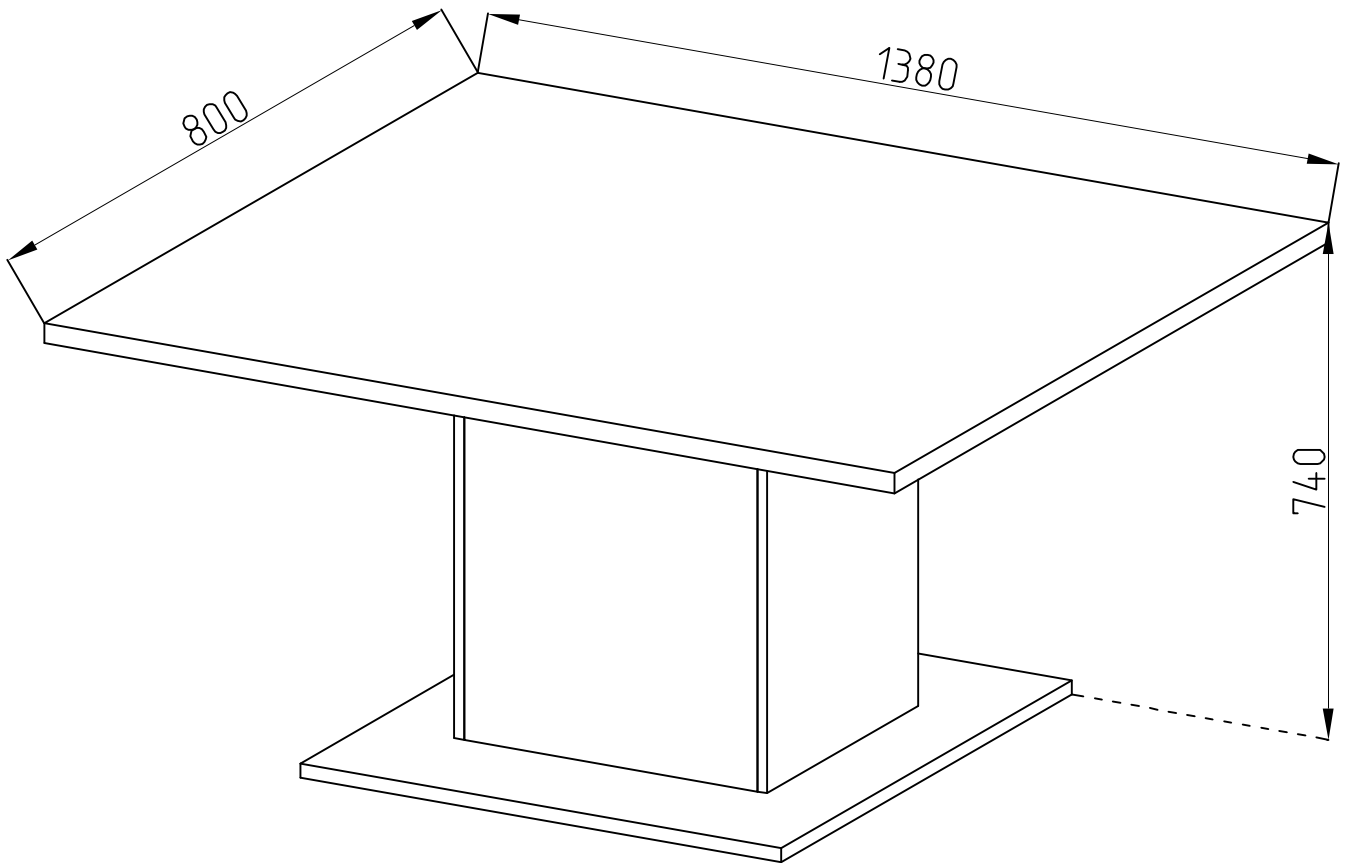
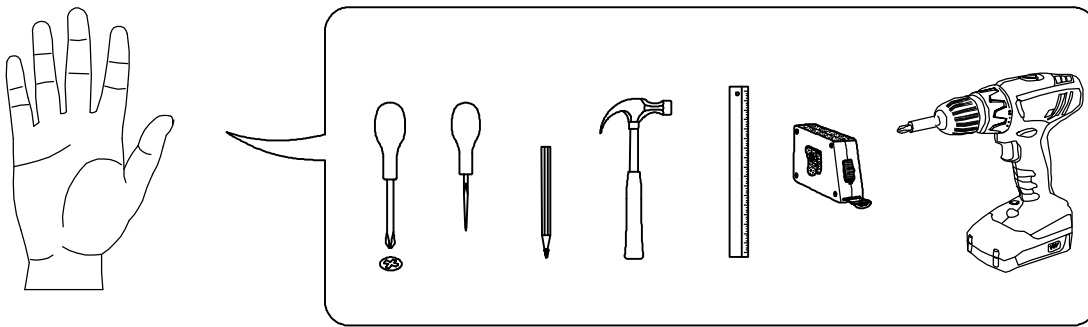
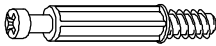

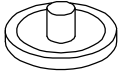



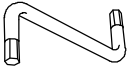



ATINA 1

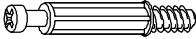

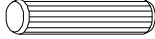
TABLE

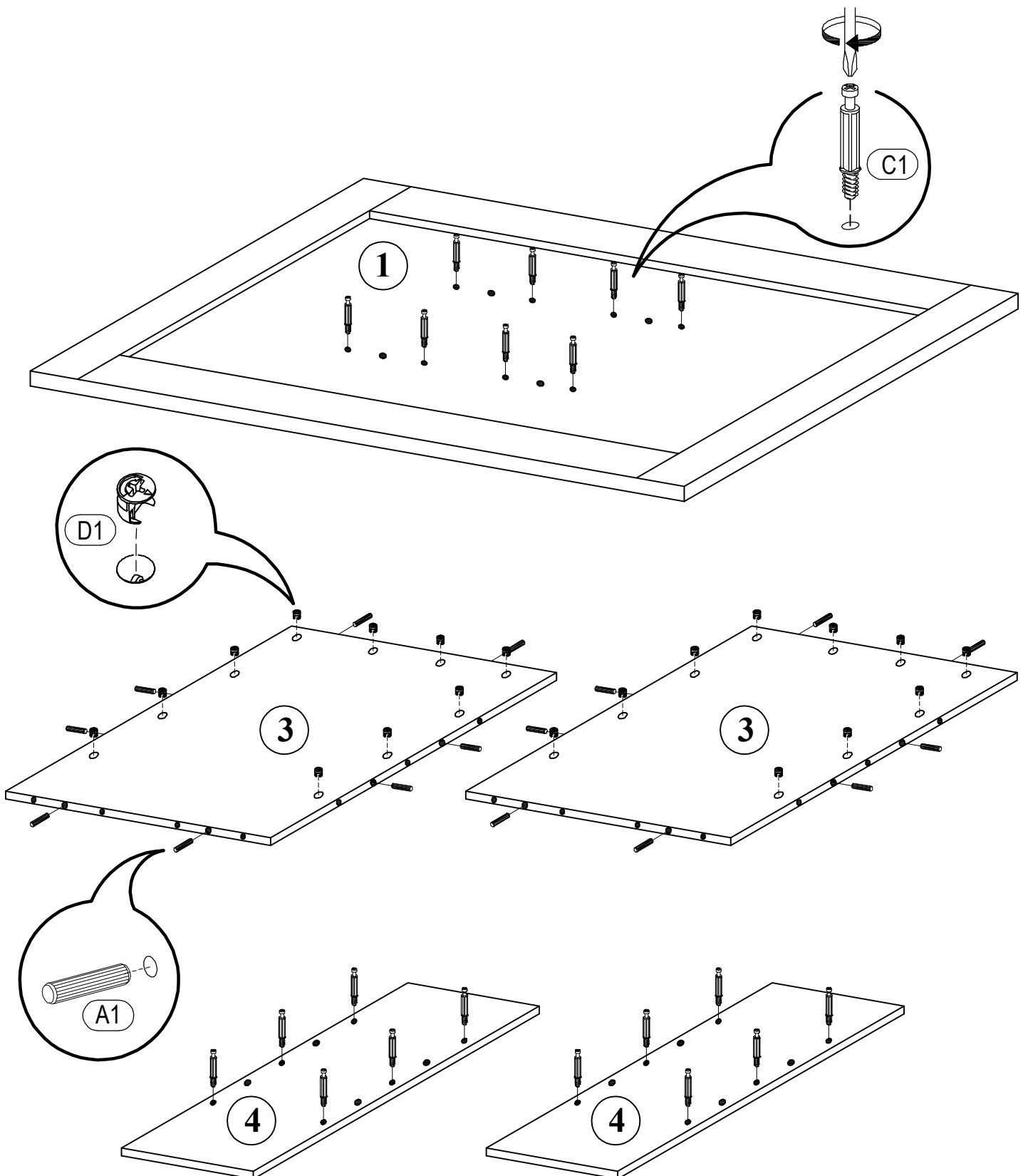


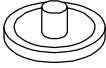
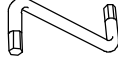


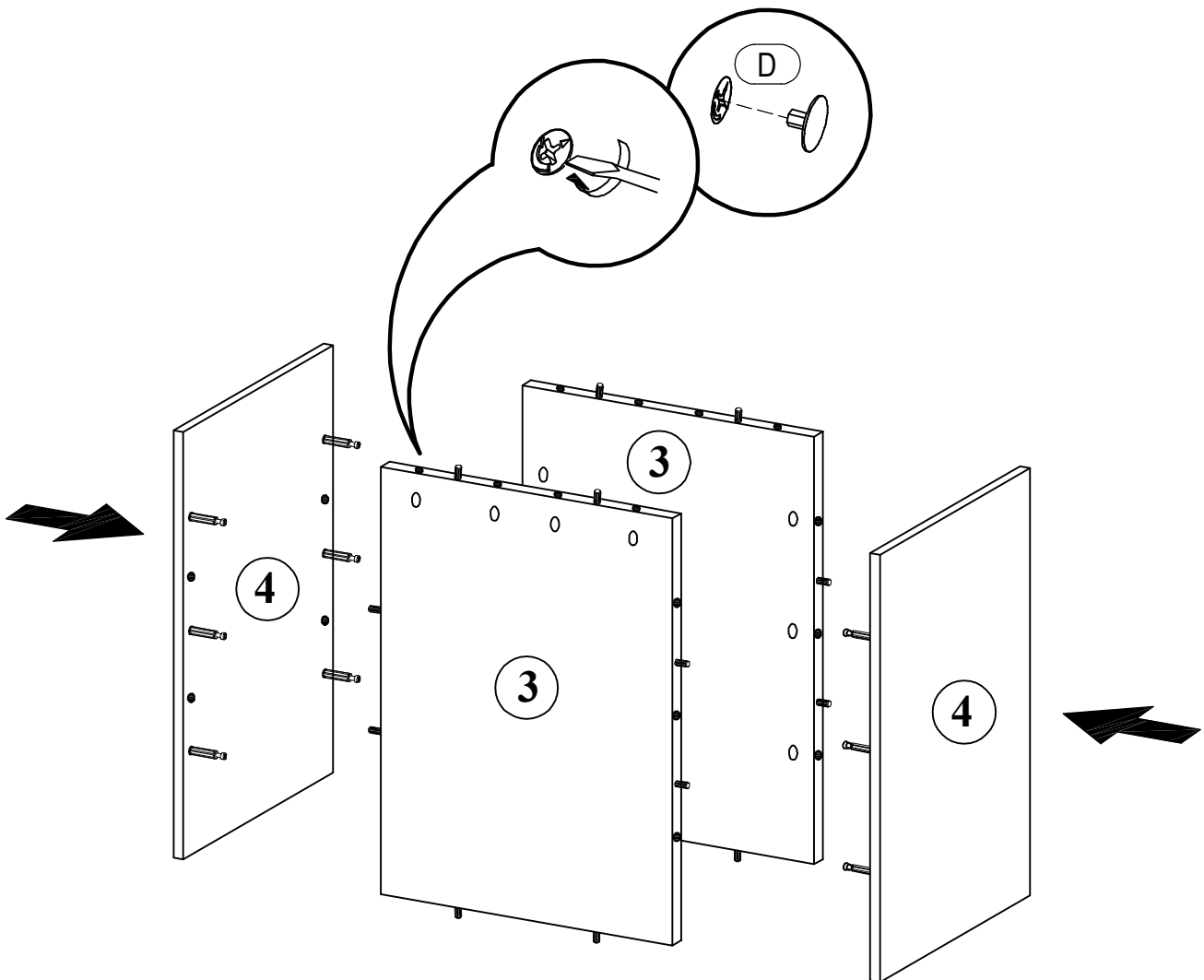
 (C1) 6*43mm x20	 (D1) 15/16 x20	 (D) ϕ 20mm x20
 (A1) 8*30mm x16	 (B2) 6,8*70mm x8	 (B) ϕ 12mm x8
 (R4) N°4 x1	 (U5) 20*20mm x12	



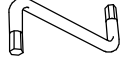

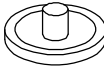
No	a*b	x
1	1380x800	1
2	780x536	1
3	476x686	2
4	278x686	2

 (C1) 6*43mm x20	 (D1) 15/16 x20	 (A1) 8*30mm x16
---	--	---



	
(D) $\phi 20\text{mm}$ x12	(R4) N°4 x1



 B2 6,8*70mm x8	 B ϕ 12mm x8	 R4 N°4 x1
 U5 20*20mm x12	 D ϕ 20mm x8	

