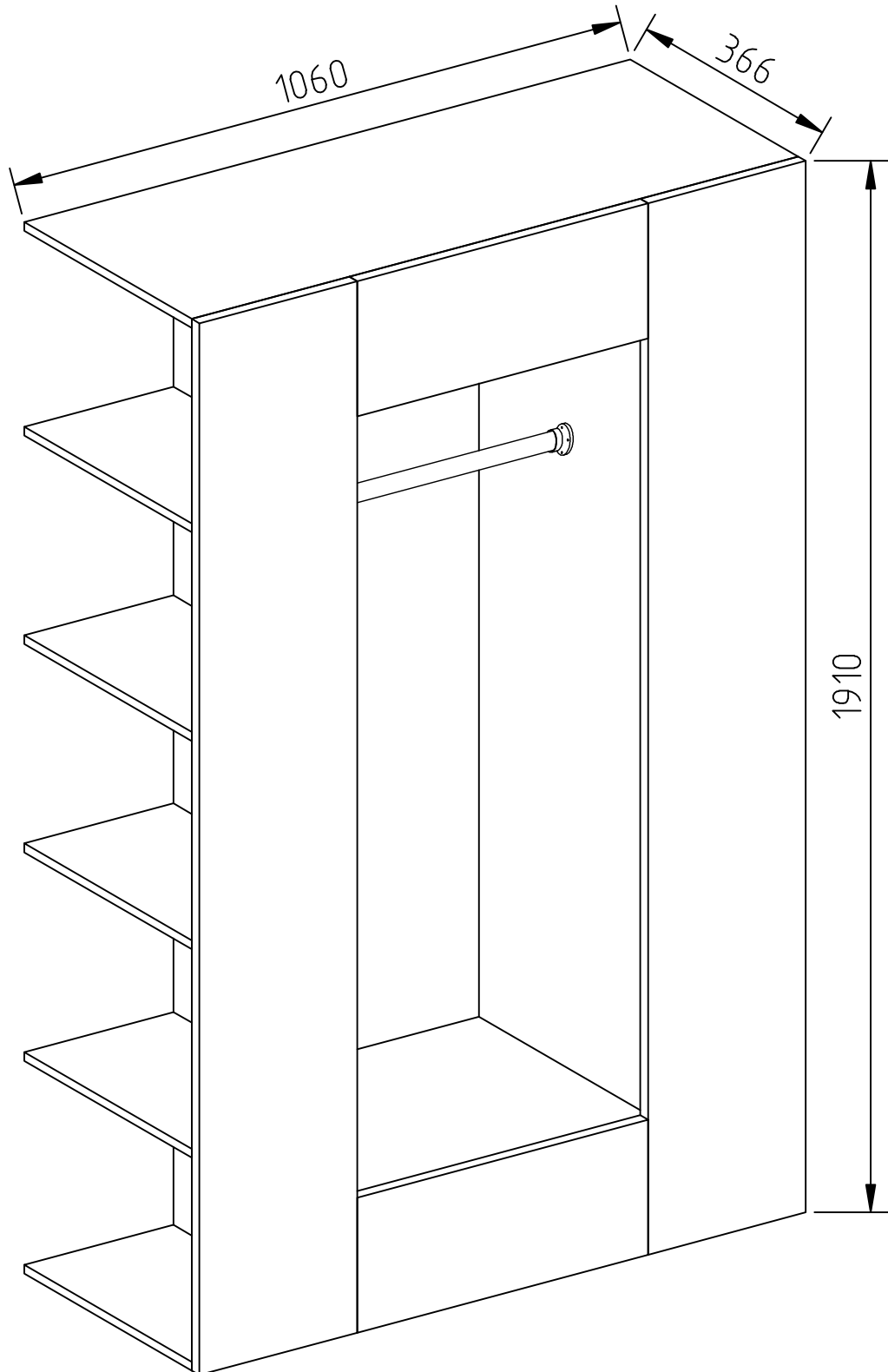
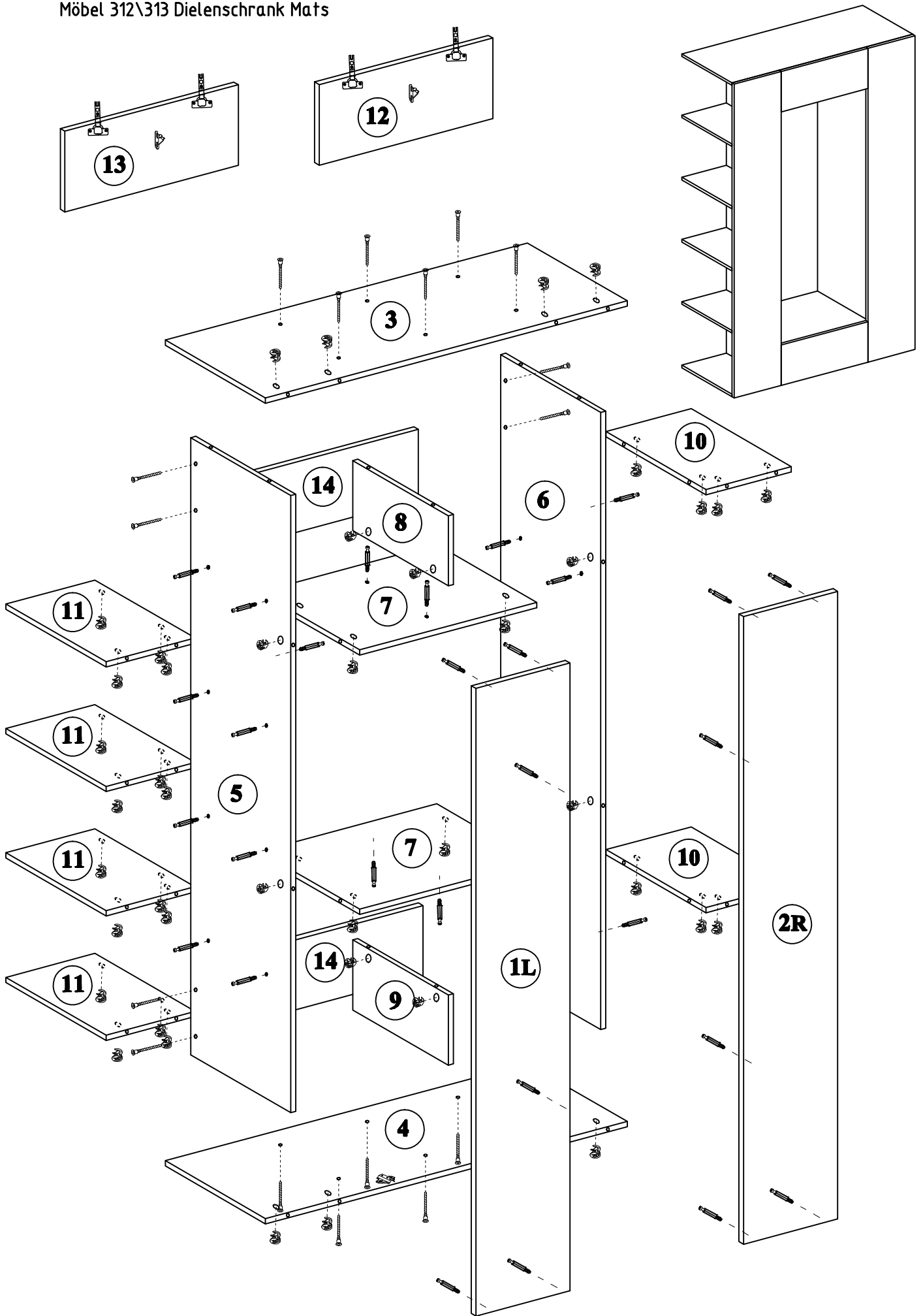
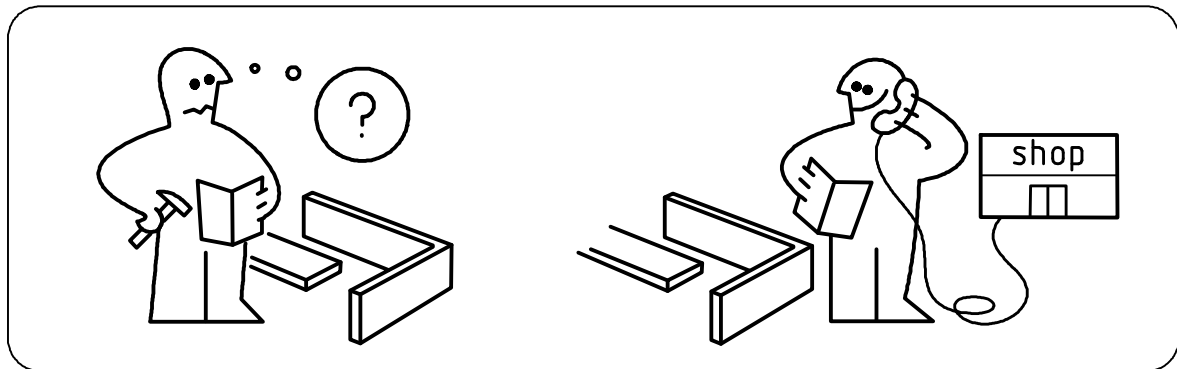
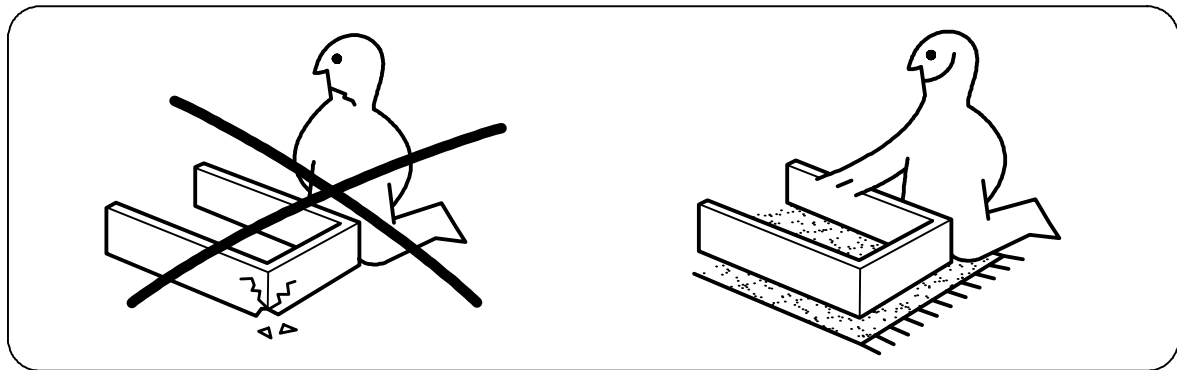
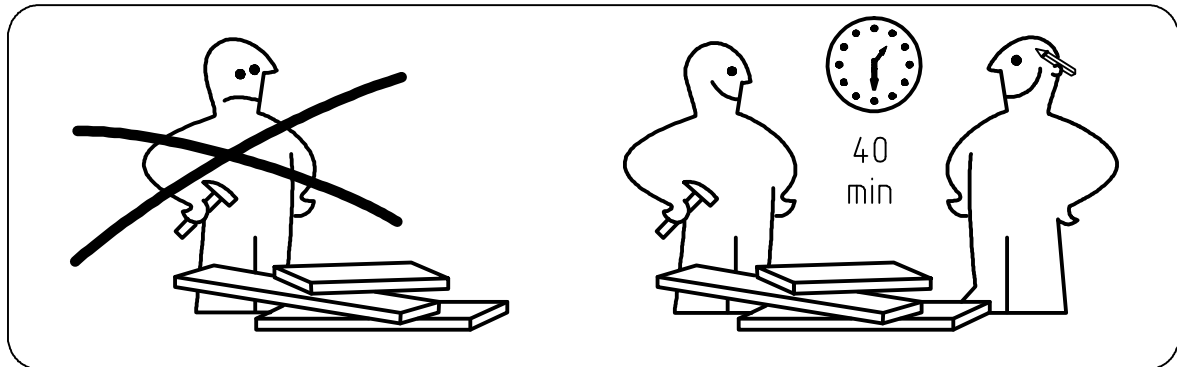
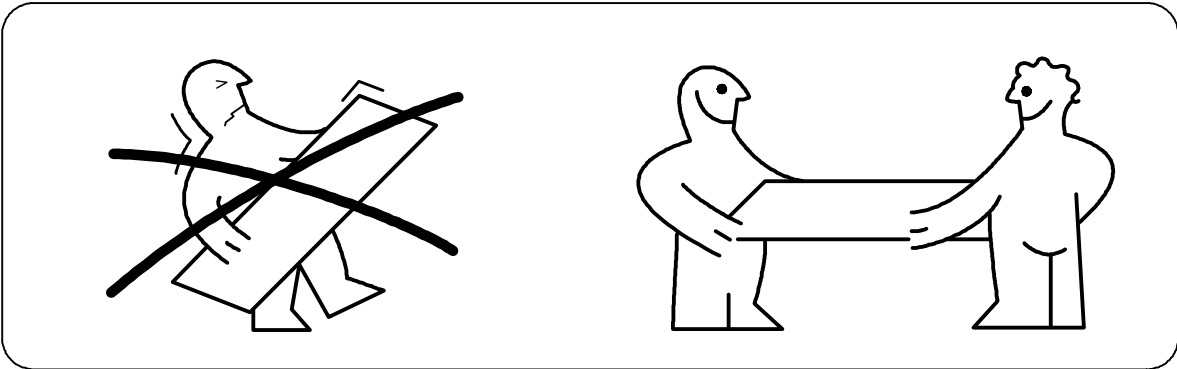
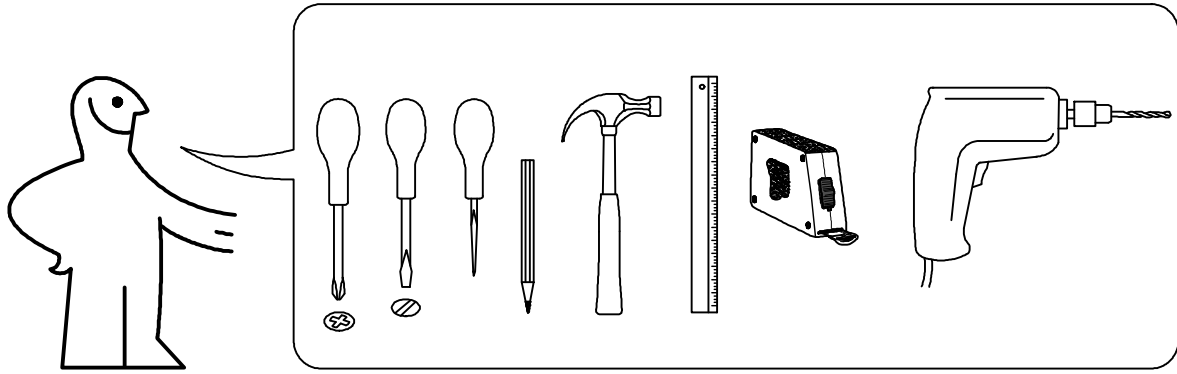


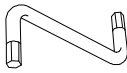




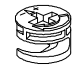
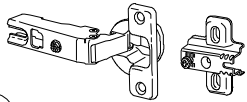


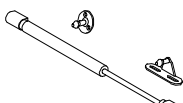
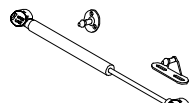
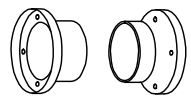



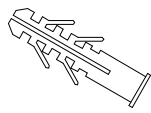


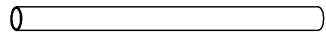
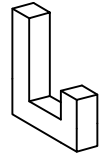
Mats

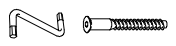
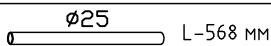






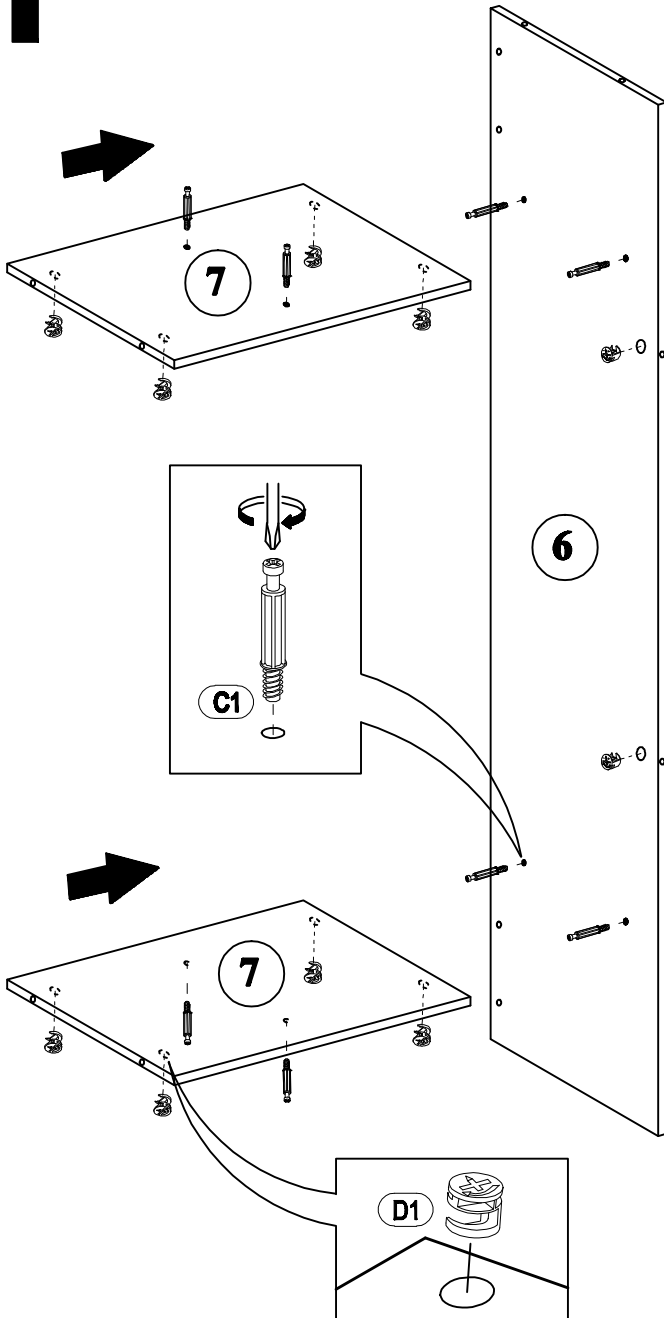
Möbel 312\313 Dielenschrank Mats

 P1 x1	 B x20	 B1 6,3*50mm x20
 C1 5*30mm x48	 D x48	 D1 16mm x48
 L1 x4	 E8 4*16mm x8	 K5 x8
 N3 x1	 N5 x1	 P3 R-11M/25 x1
 E5 3,5*16mm x18	 F1 6,3*13mm x8	 H6 x2
 H5 8*40mm x2	 E17 4,2*41mm x2	 U3 x4
 L-568 MM x1	 x2	

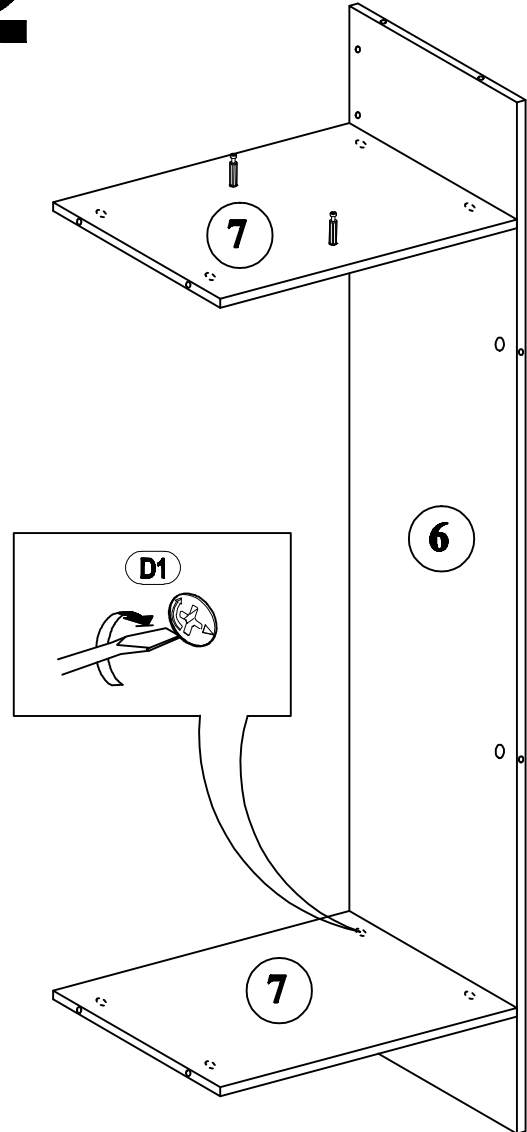
Nº	a*b*c	x	Nº→...	Nº	a*b*c	x	Nº→...
1L	1900x245	x1		9	212x334	x1	
2R	1900x245	x1		10	218x350	x2	
3	1040x350	x1		11	218x350	x4	
4	1040x350	x1		12	244x564	x1	
5	1868x350	x1		13	244x564	x1	
6	1868x350	x1		14	212x572	x2	
7	572x350	x2				x1	
8	212x334	x1			 $\varnothing 25$ L-568 MM	x1	



 C1 5*30mm x8	 D1 16mm x10
--	--

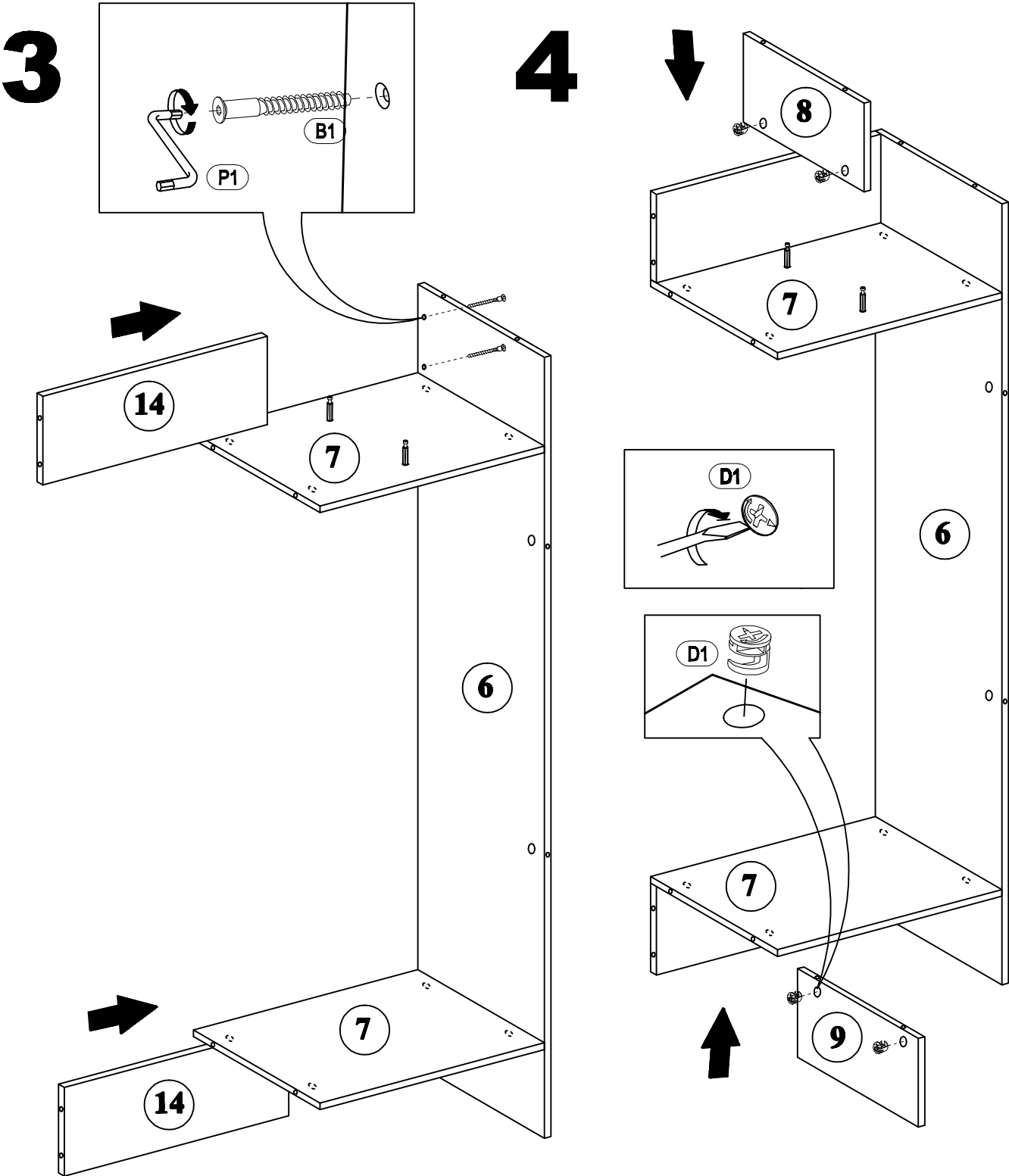
1



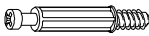
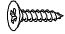



2

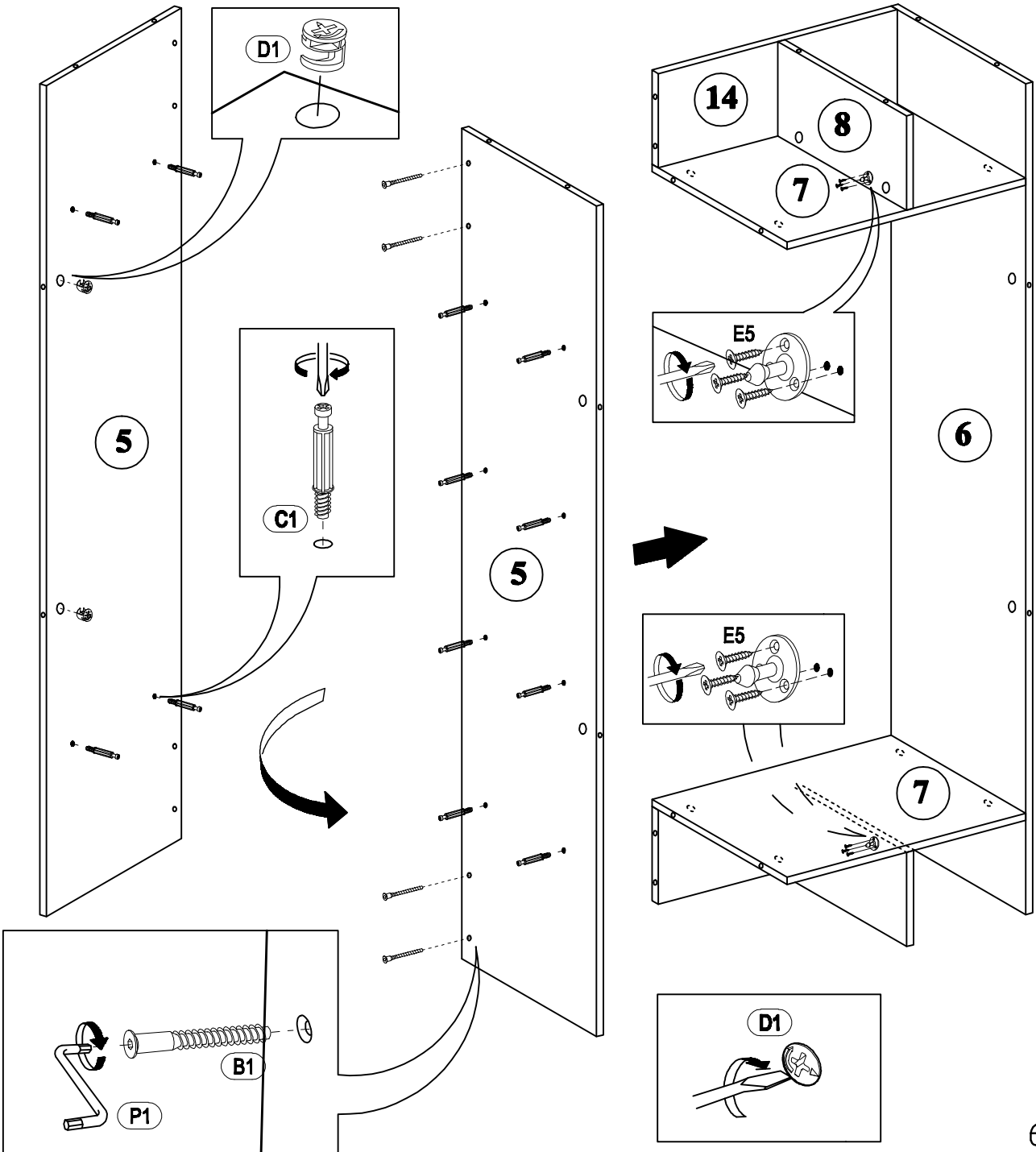


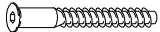


 D1 16mm x4	 B1 6,3*50mm x4
--	---

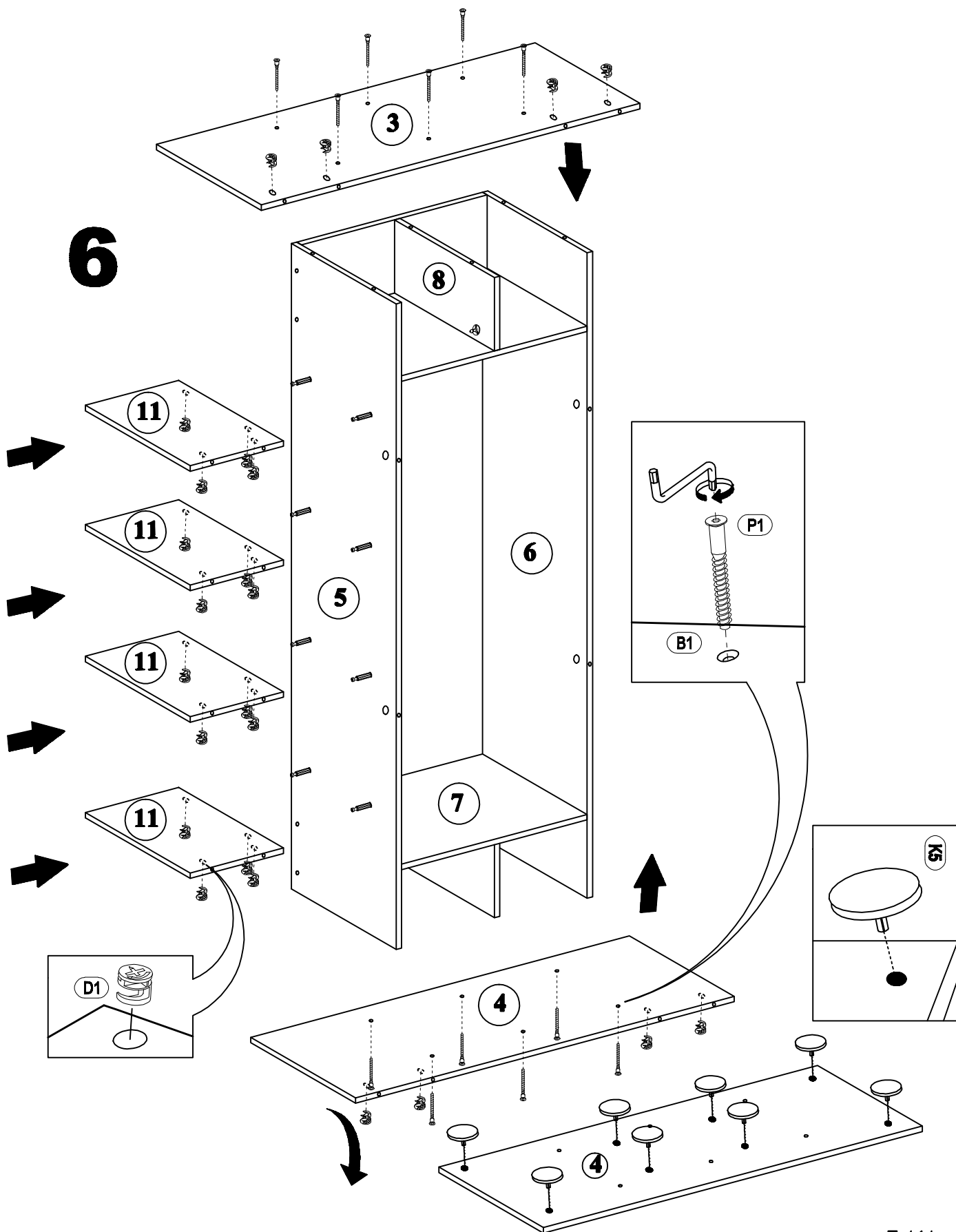




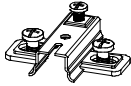

 D1 16mm x2	 B1 6,3*50mm x4	 C1 5*30mm x12
 E5 3,5*16mm x6	 x2	

5

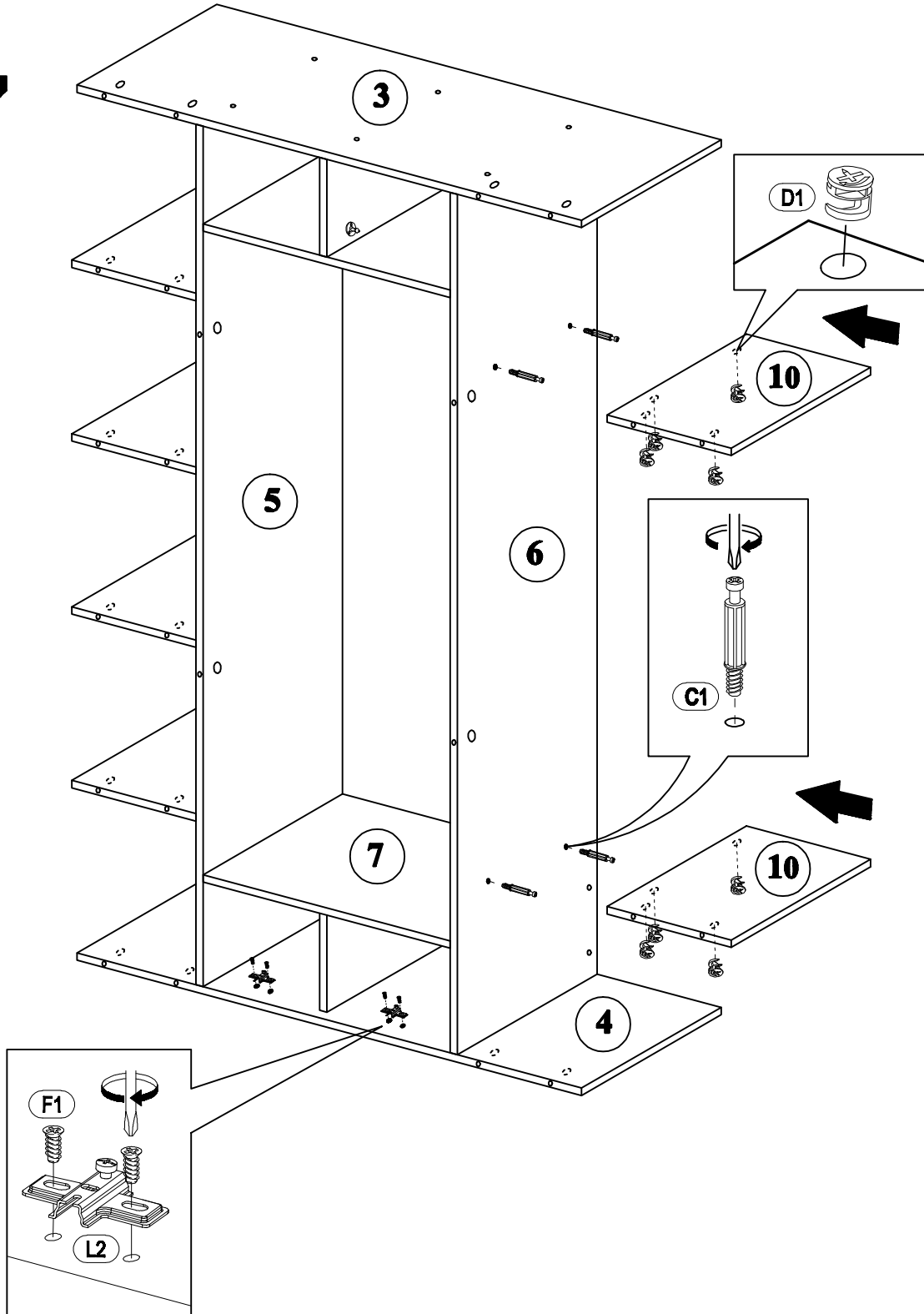


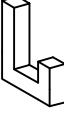


 B1 6,3*50mm x12	 D1 16mm x24	 K5 x8
---	---	---

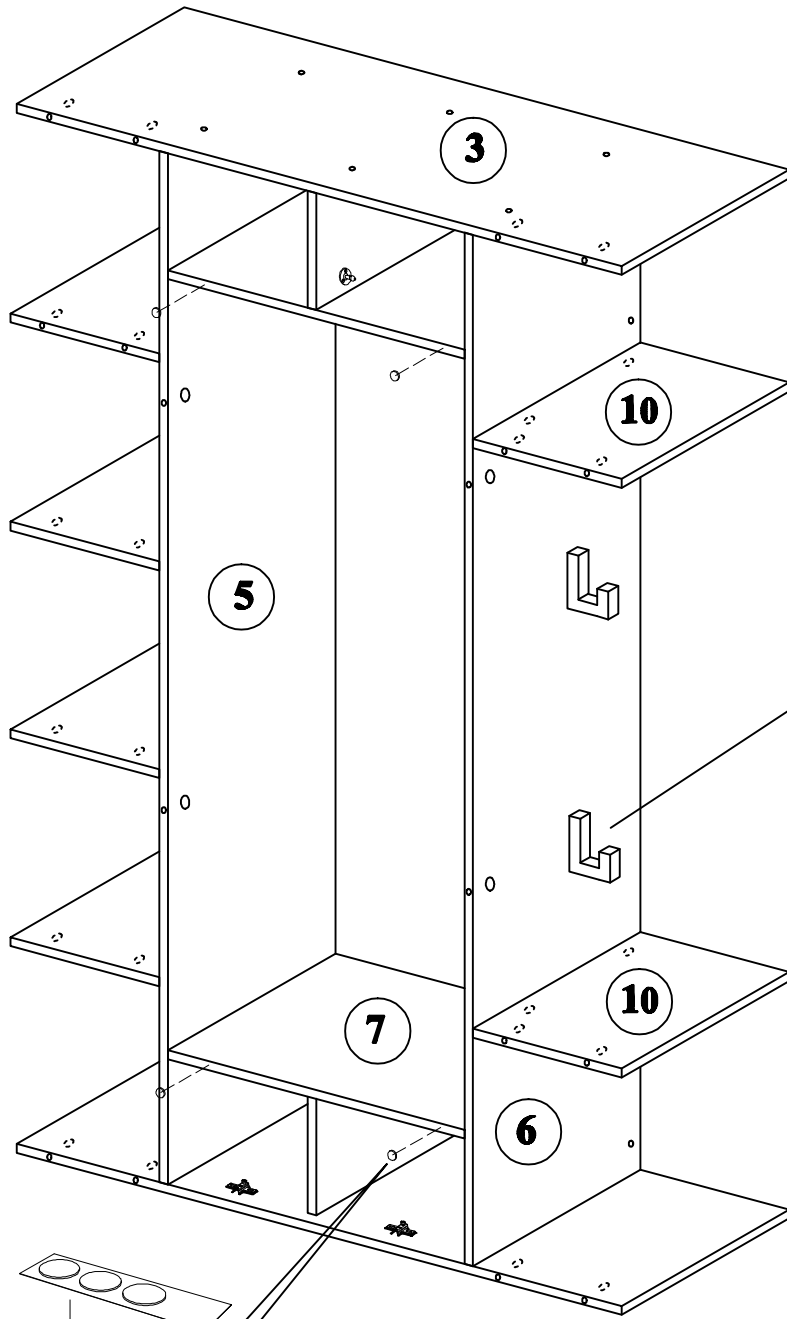


 D1 16mm x8	 C1 5*30mm x4	 L2 x4
 F1 6,3*13mm x8		

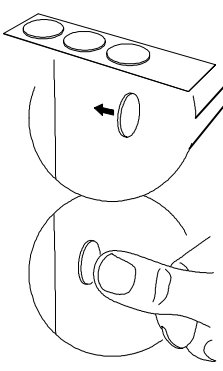
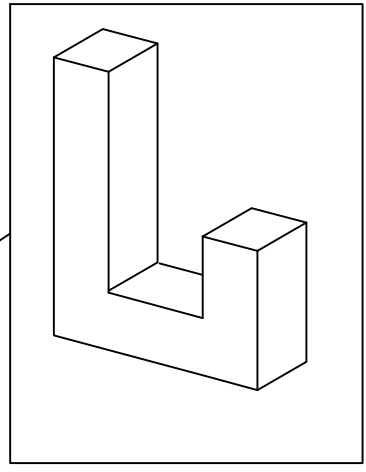
7

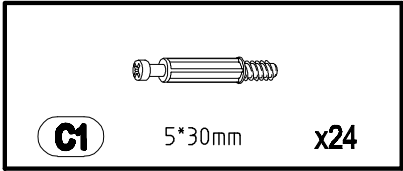


 x2		 U3 x4
--	---	---

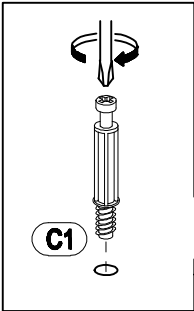
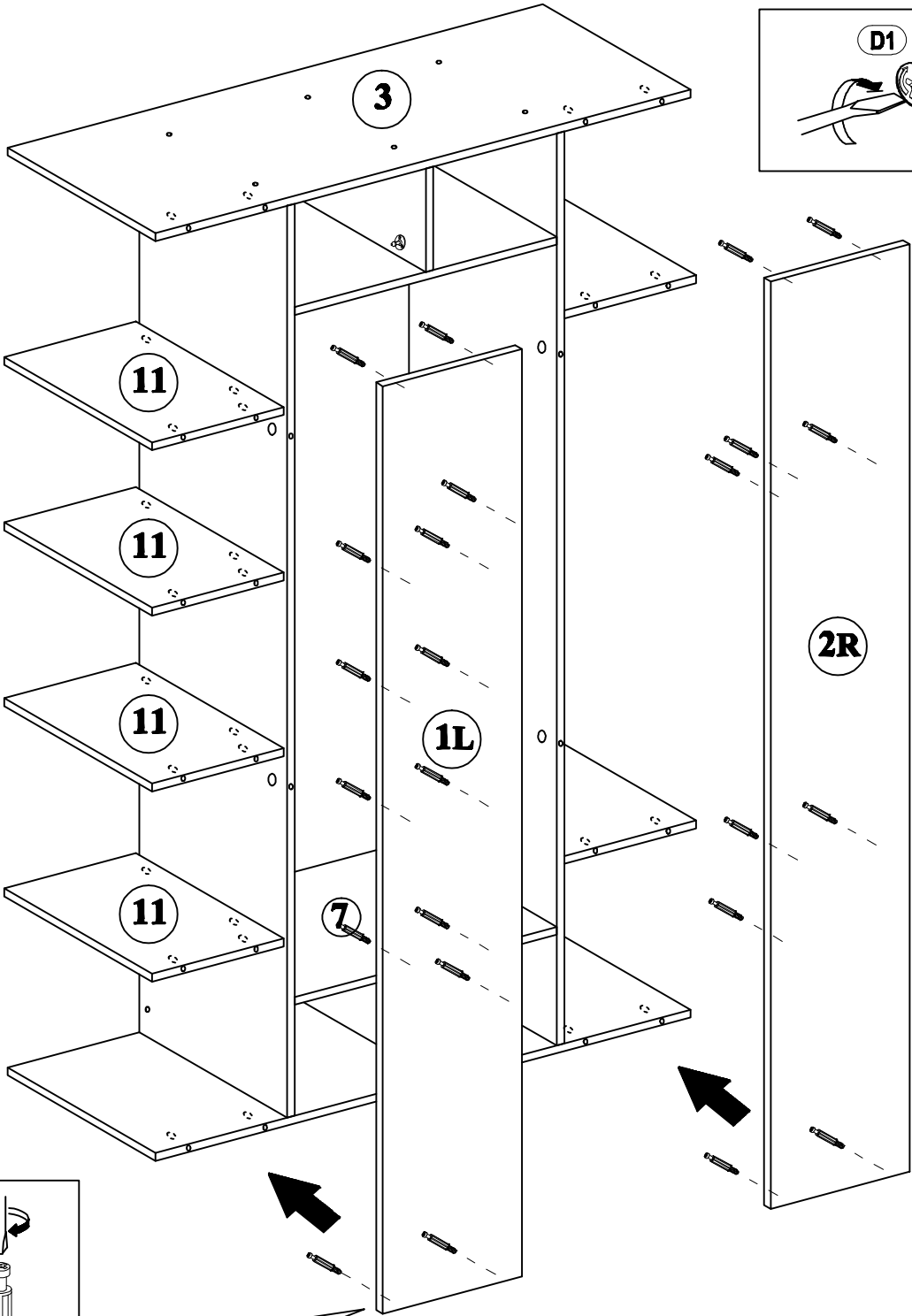
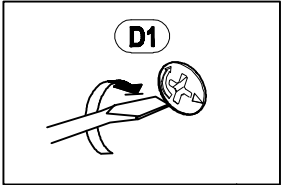


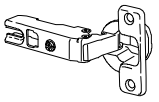
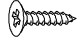
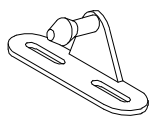
8



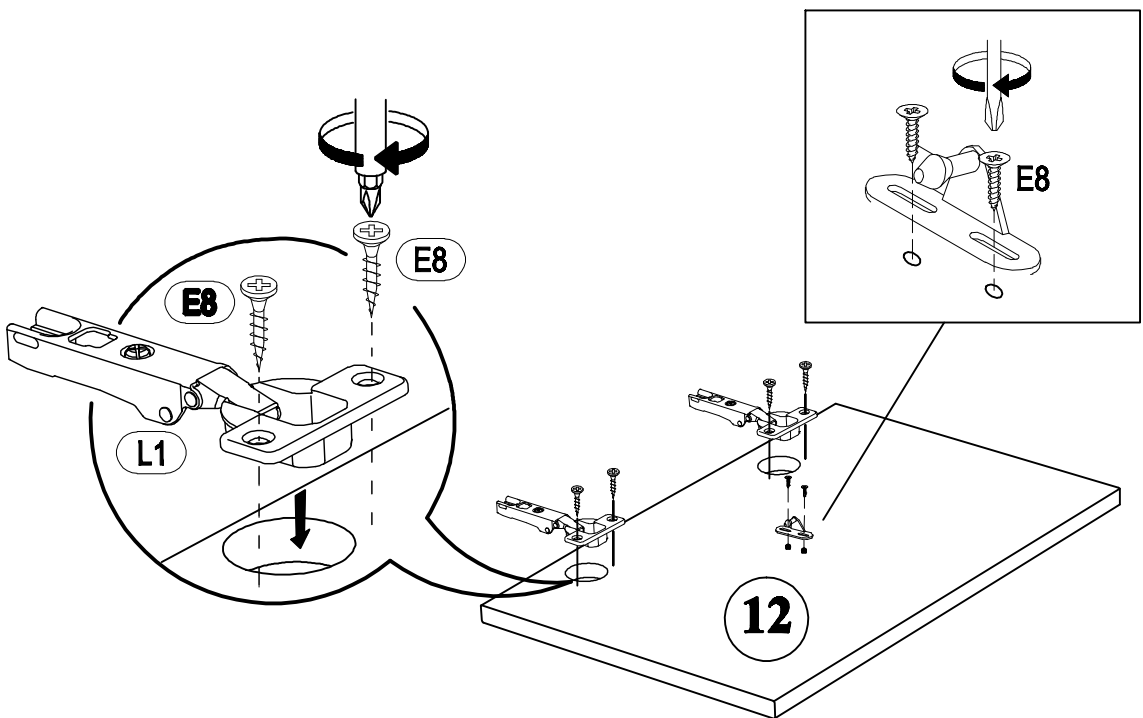
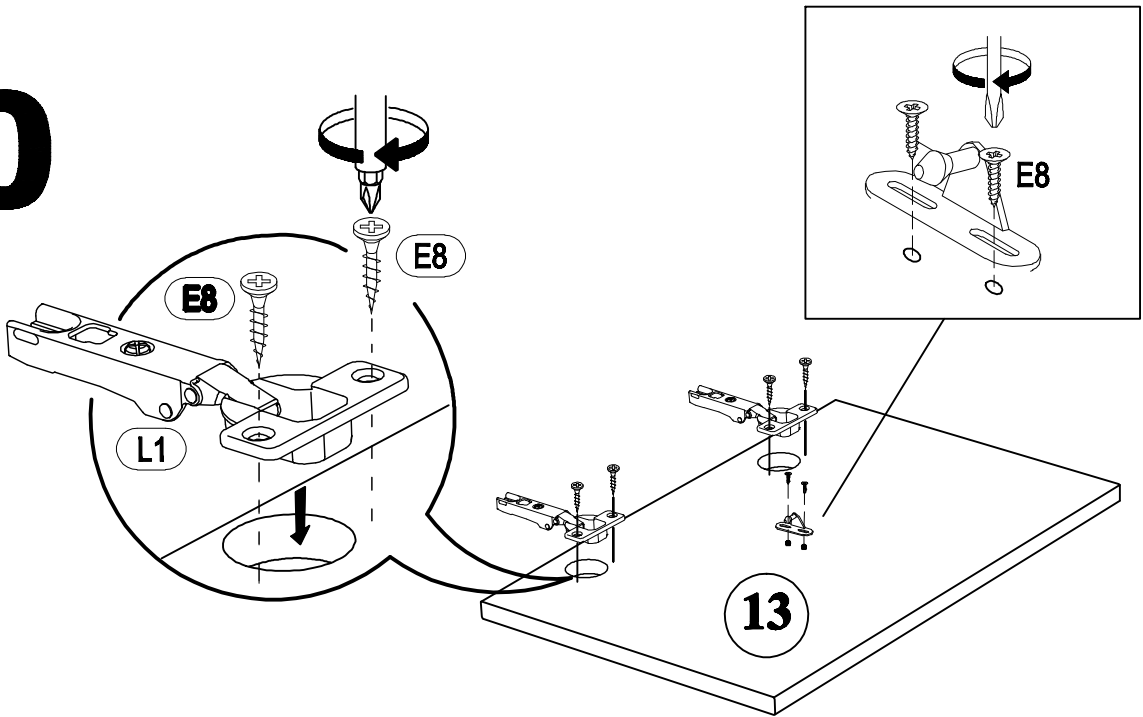


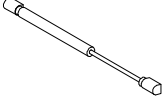
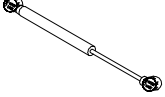

9



 <p>L1 x4</p>	 <p>E8 4*16mm x8</p>	 <p>x2</p>
---	--	---

10



 N3 x1	 N5 x1	 D x48
--	--	--

11

